



說明

感謝購買Controltech產品。請詳讀此安裝說明書並遵循正確使用方式，若沒有遵從說明書警告事項而導致產品損壞則不再保固範圍內。

保固

從購買日起Controltech提供兩年產品保固。消費者請保留產品保證書或相關的購買證明(如發票或收據)。產品在保固期內有需要維修服務時，煩請提出保證書或相關購買證明。

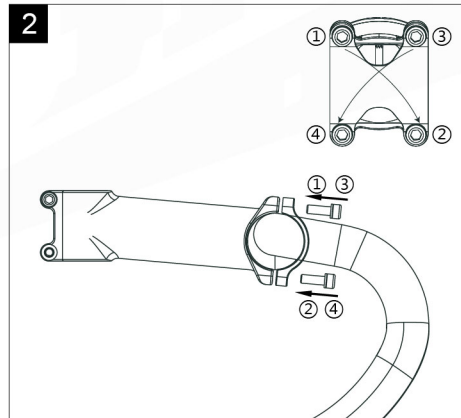
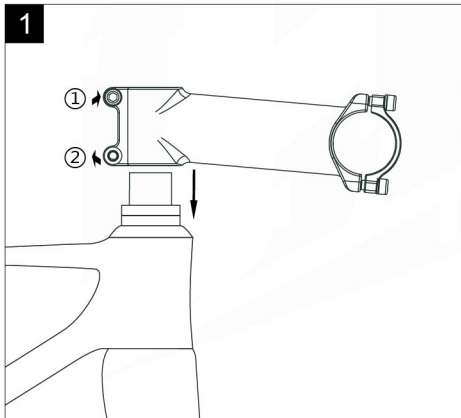
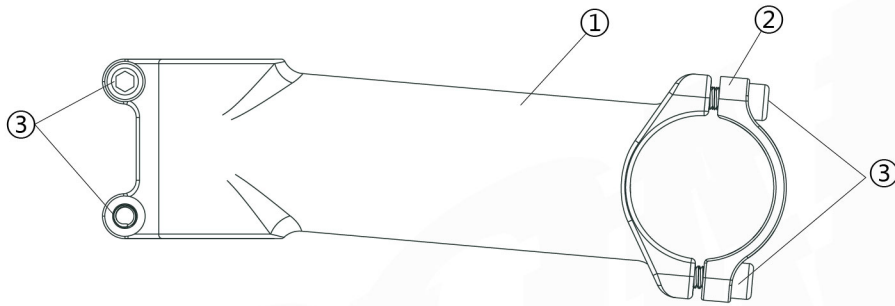
Controltech保固不包括錯誤或惡意之損壞，也不包含跳躍摔倒降落衝擊或其他的碰撞，以及忽視定期保養和錯誤零件組裝。另外，私自改裝、增加或替換產品上的零件，是不包含在保固內。自然的損壞也不包含在保固範圍內。

產品名稱 / 型號

Controltech Stem

零件名稱

- ① 立管本體
- ② 立管前蓋
- ③ M5螺絲x6



安裝說明

1. 開始組裝前，請先確認車把手中段處尺寸和立管車手束內徑一樣，是的話請繼續下一步。
2. 檢查產品外觀是否整潔或有任何粗糙瑕疵，為避免傷及產品。有的話請拿到經銷商修理或將瑕疵移除。
3. 請確認立管車手束上的螺絲有上潤滑油。
4. 請將立管前叉束組裝於前叉管，依所組裝車種需求調整其正負角度並依個人使用習慣放置墊圈調整高度，鎖上碗組上蓋螺絲(施以適當力量勿鎖緊)，調整好車手立管前叉位置後依立管標示之扭力將前叉束鎖緊，並將碗組上蓋鎖緊。**1**
5. 組裝時請把立管前蓋卸下，再將立管置於車把手中段正中央處，將立管前蓋鎖上，請上下對角平均鎖固，鎖入間隙平均，鎖固最大扭矩值請依產品標示為準。並請依據立管標示之最大扭矩值施以鎖緊力量。**2**





Controltech Stem Installation Instructions



Thank you for choosing this Controltech. With proper care and installation, it will give you trouble-free, enjoyable use.

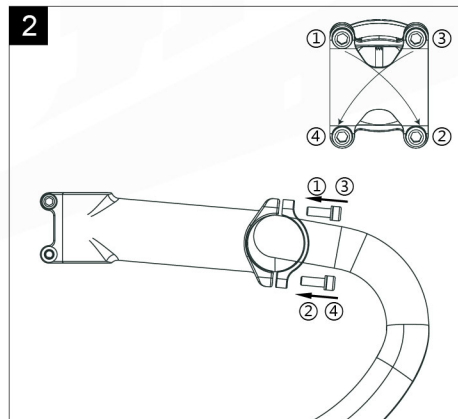
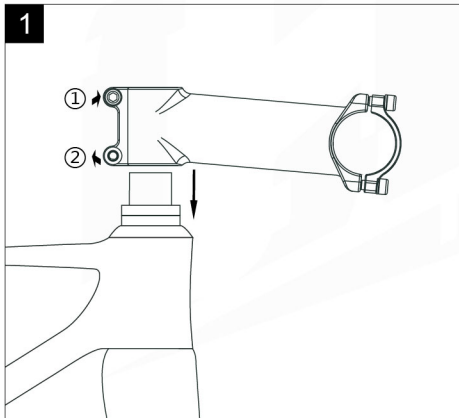
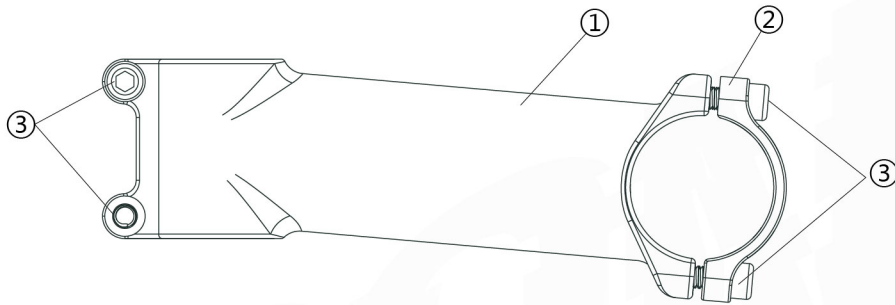
In order to maximize the safe enjoyment of this product, you should read and carefully follow the following installation instructions and warnings. Failure to do so could result in unexpected wear and/or failure, possibly resulting in injury.

Controltech warrants this product to be free from defects in materials and workmanship for a period of two years from the date of purchase when purchased from an authorized Controltech dealer. This warranty is extended only to the original owner of the product and is not transferable. Proof of purchase is required for any warranty service, so be sure to keep your receipt.

This warranty does not cover cosmetic or structural damage arising from misuse or abuse, including damage caused by crashes, jumping and landing, front end impact, falls or any other collision, owner neglect of regular maintenance, improper installation of parts and accessories. Controltech makes no warranty if modifications, changes, additions or substitutions are made to any components. Wear from normal use or exposure to environmental elements is not covered by this warranty. Controltech makes no warranty against any incidental or consequential damage to bike or parts, or rider injury caused by defects as covered in this warranty.

Components

- ① Stem Body x1
- ② Stem Face Plate x1
- ③ M5 Fixing Bolts x6



Stem Installation Instructions:

1. Remove all bolts and lubricate with grease.
2. Center the faceplate of stem over the center section of the handlebar.
3. Tighten the stem's bar clamp bolts to secure the bars in the stem with method of criss cross. Please follow the suggestion of torque range on the stem.
4. Insert the stem into the fork steerer tube and adjust to desired height by putting spacer and tighten the top cap. Adjust handlebar, stem, fork, and frame in right position and tighten the stem's steerer clamp by suggested torque range on stem. Finally tighten the top cap.
5. Check for proper adjustment before each ride. As part of routine maintenance, carefully check as welds, tubes and clamps for cracks. Replace immediately if any damage is evident.

In case of a crash or impact, carefully check your stem, bars, wheels, frame and fork for any visible damage. As with any component under varying stress, there is a fatigue life that is proportional to the use and abuse of the part. Undetectable, microscopic cracks can develop after a crash. These can significantly reduce the life of any bicycle part.





Cougar Aero Stem Installation Instructions



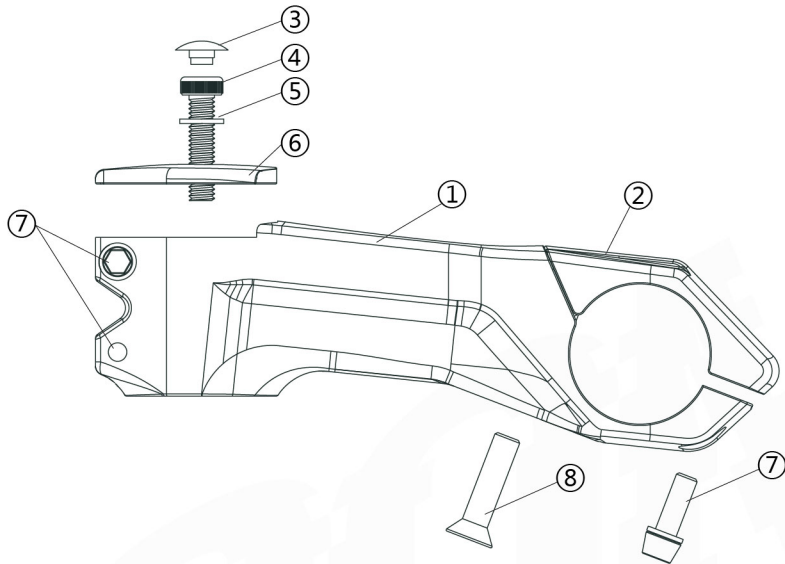
說明

感謝購買Controltech產品。請詳讀此安裝說明書並遵循正確使用方式，若沒有遵從說明書警告事項而導致產品損壞則不再保固範圍內。

保固

從購買日起Controltech提供兩年產品保固。消費者請保留產品保證書或相關的購買證明(如發票或收據)。產品在保固期內有需要維修服務時，煩請提出保證書或相關購買證明。

Controltech保固不包括錯誤或惡意之損壞，也不包含跳躍摔倒降落衝擊或其他的碰撞，以及忽視定期保養和錯誤零件組裝。另外，私自改裝、增加或替換產品上的零件，是不包含在保固內。自然的損壞也不包含在保固範圍內。

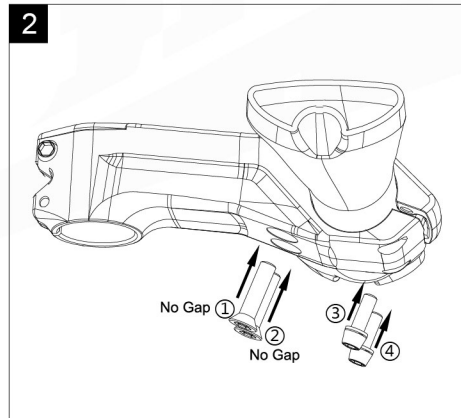
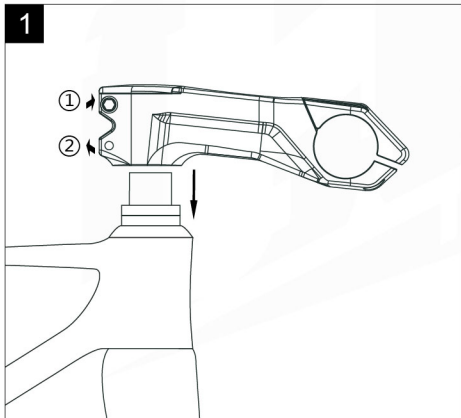


產品名稱 / 型號

Cougar Aero Stem / RAS-94

零件名稱

- ① 立管本體
- ② 立管前蓋
- ③ 橡膠軟塞x1。
- ④ M6螺絲x1。
- ⑤ 華司x1。
- ⑥ 上蓋x1
- ⑦ M5螺絲x4
- ⑧ M6螺絲x2



安裝說明

1. 開始組裝前，請先確認車把手中段處尺寸和立管車手束內徑一樣，是的話請繼續下一步。
2. 檢查產品外觀是否整潔或有任何粗糙瑕疵，為避免傷及產品。有的話請拿到經銷商修理或將瑕疵移除。
3. 請確認立管車手束上的螺絲有上潤滑油。
4. 請將立管前叉束組裝於前叉管，依所組裝車種需求調整其正負角度並依個人使用習慣放置墊圈調整高度，鎖上碗組上蓋螺絲(施以適當力量勿鎖緊)，調整好車手立管前叉位置後依立管標示之扭力將前叉束鎖緊，並將碗組上蓋鎖緊。**1**
5. 組裝時請把立管前蓋卸下，再將立管置於車把手中段正中央處，將立管前蓋鎖上，請先鎖緊①②不保留間隙，再鎖入③④，鎖固最大扭力值請依產品標示為準。並請依據立管標示之最大扭力值施以鎖緊力量。**2**





Cougar Aero Stem Installation Instructions

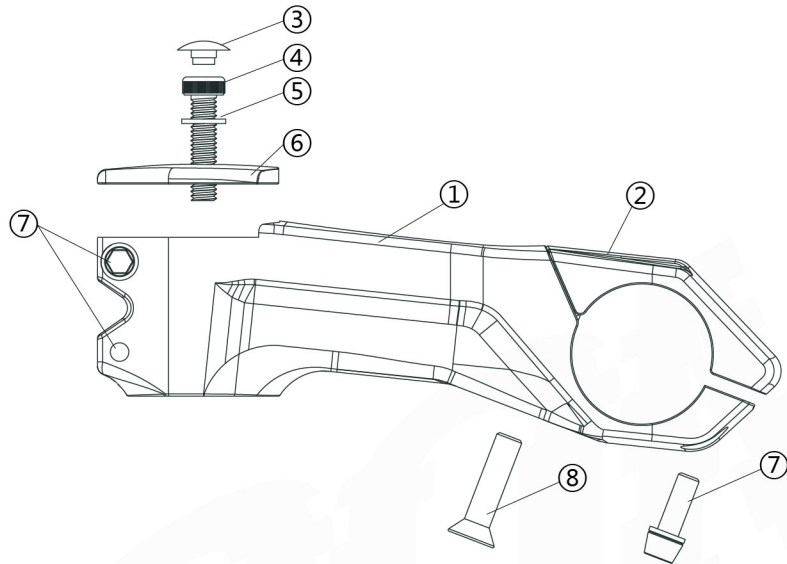


Thank you for choosing this Controltech. With proper care and installation, it will give you trouble-free, enjoyable use.

In order to maximize the safe enjoyment of this product, you should read and carefully follow the following installation instructions and warnings. Failure to do so could result in unexpected wear and/or failure, possibly resulting in injury.

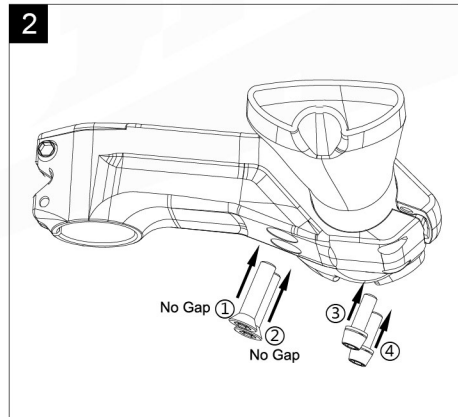
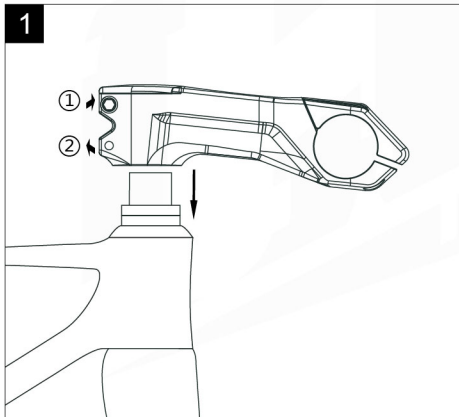
Controltech warrants this product to be free from defects in materials and workmanship for a period of two years from the date of purchase when purchased from an authorized Controltech dealer. This warranty is extended only to the original owner of the product and is not transferable. Proof of purchase is required for any warranty service, so be sure to keep your receipt.

This warranty does not cover cosmetic or structural damage arising from misuse or abuse, including damage caused by crashes, jumping and landing, front end impact, falls or any other collision, owner neglect of regular maintenance, improper installation of parts and accessories. Controltech makes no warranty if modifications, changes, additions or substitutions are made to any components. Wear from normal use or exposure to environmental elements is not covered by this warranty. Controltech makes no warranty against any incidental or consequential damage to bike or parts, or rider injury caused by defects as covered in this warranty.



Components

- ① Stem Body x1
- ② Stem Face Plate x1
- ③ Rubber Cap x1
- ④ M6 Fixing Bolt x1
- ⑤ Washer x1
- ⑥ Upper Cap x1
- ⑦ M5 Fixing Bolt x4
- ⑧ M6 Fixing Bolt x2



Stem Installation Instructions:

1. Check the bar bore diameter of handlebar can match the stem.
2. Visually inspect the product for any defective and reach the distributor or dealer for replacement if any.
3. Remove all bolts and lubricate with grease.
4. Assemble the stem body with the fork steerer tube and tighten the top cap bolt by the suggested torque.
5. Tighten the fork clamp bolts by the suggested torque on stem.
6. Remove the stem faceplate and mount the handlebar in center. **1**
7. Tighten the bolt ①、② first until No Gap and then tighten the bolt ③、④ by the suggested torque. **2**





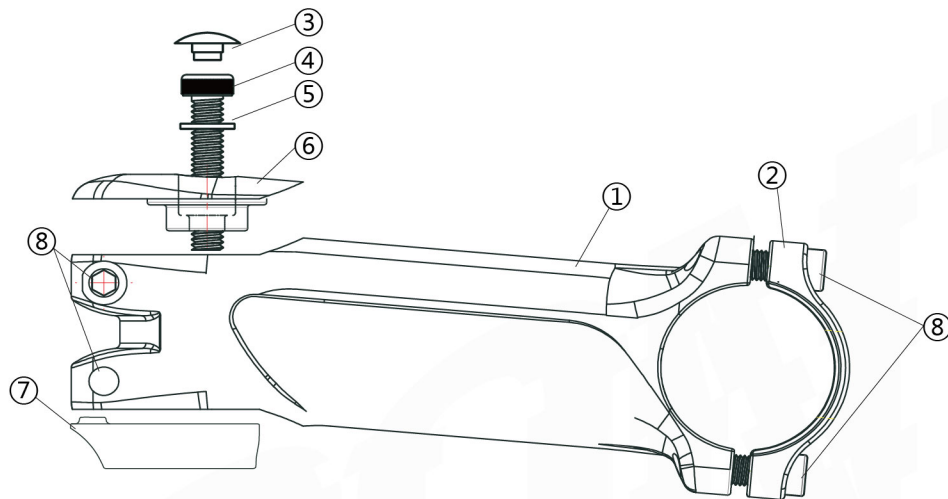
說明

感謝購買Controltech產品。請詳讀此安裝說明書並遵循正確使用方式，若沒有遵從說明書警告事項而導致產品損壞則不再保固範圍內。

保固

從購買日起Controltech提供兩年產品保固。消費者請保留產品保證書或相關的購買證明(如發票或收據)。產品在保固期內有需要維修服務時，煩請提出保證書或相關購買證明。

Controltech保固不包括錯誤或惡意之損壞，也不包含跳躍摔倒降落衝擊或其他的碰撞，以及忽視定期保養和錯誤零件組裝。另外，私自改裝、增加或替換產品上的零件，是不包含在保固內。自然的損壞也不包含在保固範圍內。

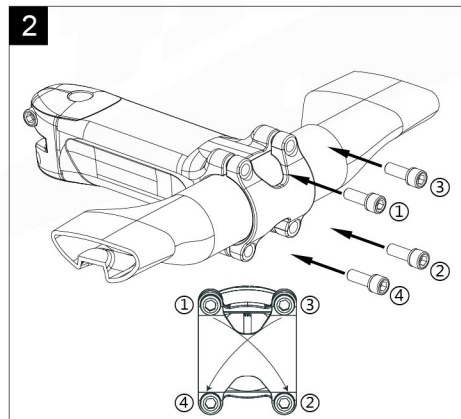
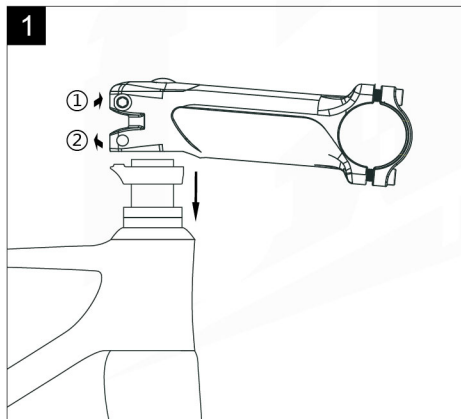


產品名稱 / 型號

Falcon Stem / RAS-88

零件名稱

- ① 立管本體
- ② 立管前蓋
- ③ 橡膠軟塞x1。
- ④ M6螺絲x1。
- ⑤ 華司x1。
- ⑥ 上蓋x1
- ⑦ 專用墊圈
- ⑧ M5螺絲x6



安裝說明

1. 開始組裝前，請先確認車把手中段處尺寸和立管車手束內徑一樣，是的話請繼續下一步。
2. 檢查產品外觀是否整潔或有任何粗糙瑕疵，為避免傷及產品。有的話請拿到經銷商修理或將瑕疵移除。
3. 請確認立管車手束上的螺絲有上潤滑油。
4. 請將立管前叉束組裝於前叉管，依所組裝車種需求調整其正負角度並依個人使用習慣放置墊圈調整高度，鎖上碗組上蓋螺絲(施以適當力量勿鎖緊)，調整好車手立管前叉位置後依立管標示之扭力將前叉束鎖緊，並將碗組上蓋鎖緊。**1**
5. 組裝時請把立管前蓋卸下，再將立管置於車把手中段正中央處，將立管前蓋鎖上，請上下對角平均鎖固，鎖入間隙平均，鎖固最大扭力值請依產品標示為準。並請依據立管標示之最大扭力值施以鎖緊力量。**2**





Falcon Stem Installation Instructions

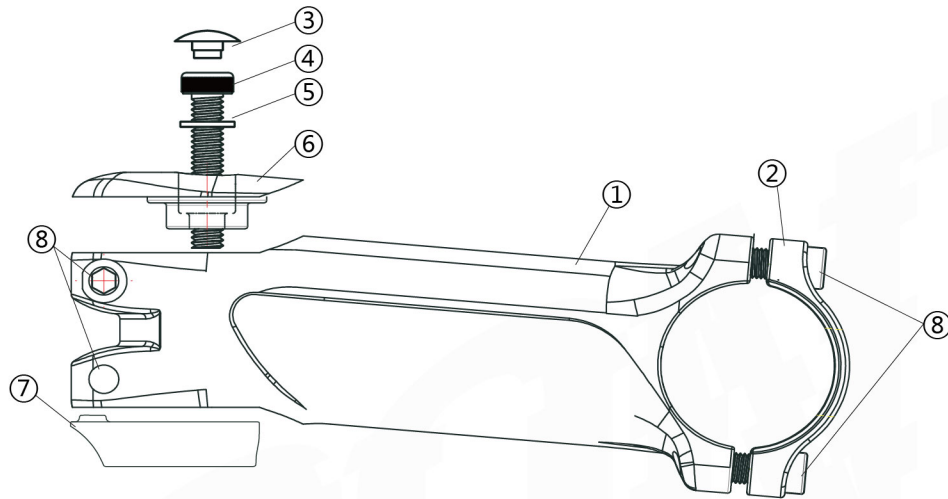


Thank you for choosing this Controltech. With proper care and installation, it will give you trouble-free, enjoyable use.

In order to maximize the safe enjoyment of this product, you should read and carefully follow the following installation instructions and warnings. Failure to do so could result in unexpected wear and/or failure, possibly resulting in injury.

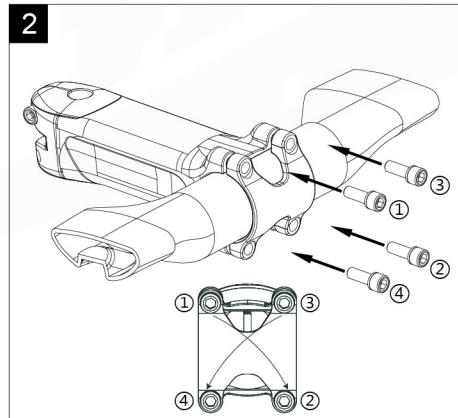
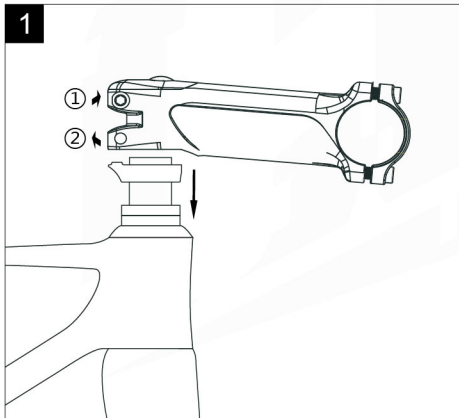
Controltech warrants this product to be free from defects in materials and workmanship for a period of two years from the date of purchase when purchased from an authorized Controltech dealer. This warranty is extended only to the original owner of the product and is not transferable. Proof of purchase is required for any warranty service, so be sure to keep your receipt.

This warranty does not cover cosmetic or structural damage arising from misuse or abuse, including damage caused by crashes, jumping and landing, front end impact, falls or any other collision, owner neglect of regular maintenance, improper installation of parts and accessories. Controltech makes no warranty if modifications, changes, additions or substitutions are made to any components. Wear from normal use or exposure to environmental elements is not covered by this warranty. Controltech makes no warranty against any incidental or consequential damage to bike or parts, or rider injury caused by defects as covered in this warranty.



Components

- ① Stem Body x1
- ② Stem Face Plate x1
- ③ Rubber Cap x1
- ④ M6 Fixing Bolts x1
- ⑤ Washer x1
- ⑥ Upper Cap x1
- ⑦ Integrated Spacer
- ⑧ M5 Fixing Bolts x6



Stem Installation Instructions:

1. Remove all bolts and lubricate with grease.
2. Center the faceplate of stem over the center section of the handlebar.
3. Tighten the stem's bar clamp bolts to secure the bars in the stem with method of criss cross. Please follow the suggestion of torque range on the stem.
4. Insert the stem into the fork steerer tube and adjust to desired height by putting spacer and tighten the top cap. Adjust handlebar, stem, fork, and frame in right position and tighten the stem's steerer clamp by suggested torque range on stem. Finally tighten the top cap.
5. Check for proper adjustment before each ride. As part of routine maintenance, carefully check as welds, tubes and clamps for cracks. Replace immediately if any damage is evident.

In case of a crash or impact, carefully check your stem, bars, wheels, frame and fork for any visible damage. As with any component under varying stress, there is a fatigue life that is proportional to the use and abuse of the part. Undetectable, microscopic cracks can develop after a crash. These can significantly reduce the life of any bicycle part.





Falcon Aero Stem Installation Instructions



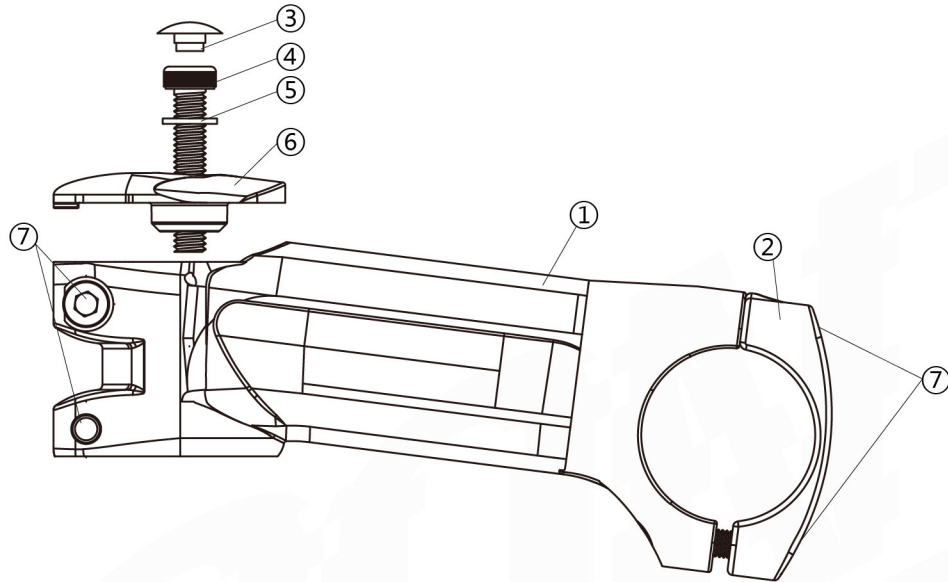
說明

感謝購買Controltech產品。請詳讀此安裝說明書並遵循正確使用方式，若沒有遵從說明書警告事項而導致產品損壞則不再保固範圍內。

保固

從購買日起Controltech提供兩年產品保固。消費者請保留產品保證書或相關的購買證明(如發票或收據)。產品在保固期內有需要維修服務時，煩請提出保證書或相關購買證明。

Controltech保固不包括錯誤或惡意之損壞，也不包含跳躍摔倒降落衝擊或其他的碰撞，以及忽視定期保養和錯誤零件組裝。另外，私自改裝、增加或替換產品上的零件，是不包含在保固內。自然的損壞也不包含在保固範圍內。

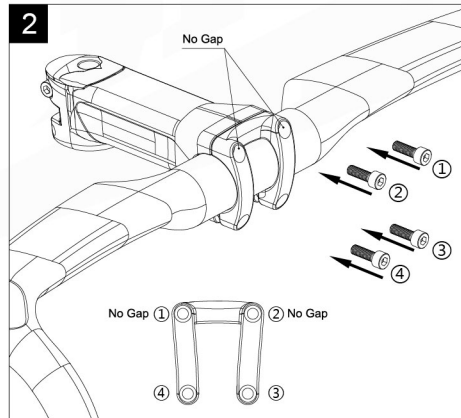
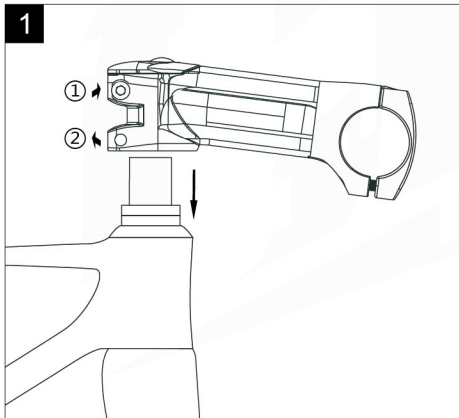


產品名稱 / 型號

Falcon Aero Stem / RAS-101

零件名稱

- ① 立管本體
- ② 立管前蓋
- ③ 橡膠軟塞x1。
- ④ M6螺絲x1。
- ⑤ 華司x1。
- ⑥ 上蓋x1
- ⑦ M5螺絲x6



安裝說明

1. 開始組裝前，請先確認車把手中段處尺寸和立管車手束內徑一樣，是的話請繼續下一步。
2. 檢查產品外觀是否整潔或有任何粗糙瑕疵，為避免傷及產品。有的話請拿到經銷商修理或將瑕疵移除。
3. 請確認立管車手束上的螺絲有上潤滑油。
4. 請將立管前叉束組裝於前叉管，依個人組裝需求放置墊圈調整高度，鎖上碗組上蓋螺絲(施以適當力量勿鎖緊)，調整好車手立管前叉位置後依立管標示之扭力將前叉束鎖緊，並將碗組上蓋鎖緊。
5. 組裝車手時請把立管前蓋卸下，再將車手置於立管中段正中央處，將立管前蓋鎖上，請先將①②鎖到底，再依序鎖上③④，鎖固最大扭力值請依產品標示為準。並請依據立管標示之最大扭力值施以鎖緊力量。





Falcon Aero Stem Installation Instructions

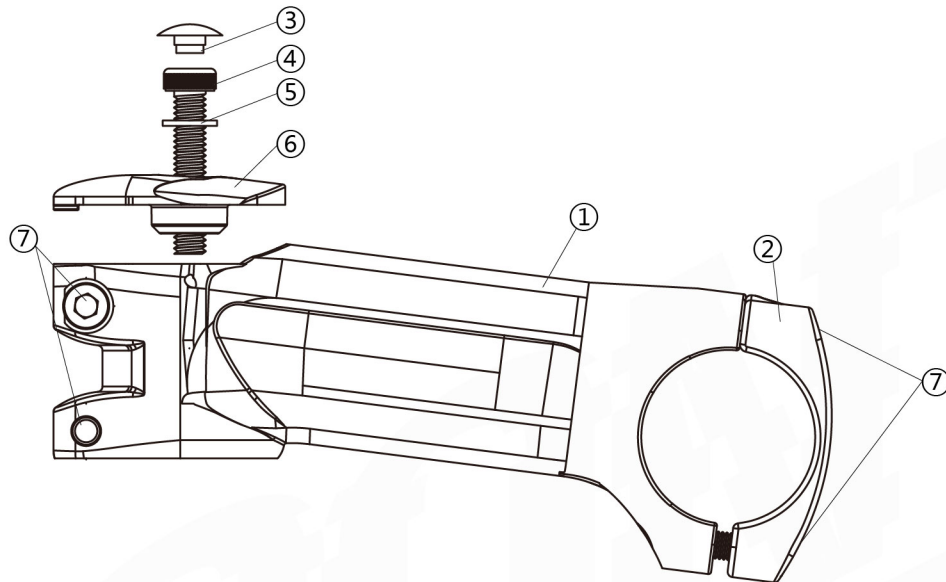


Thank you for choosing this Controltech. With proper care and installation, it will give you trouble-free, enjoyable use.

In order to maximize the safe enjoyment of this product, you should read and carefully follow the following installation instructions and warnings. Failure to do so could result in unexpected wear and/or failure, possibly resulting in injury.

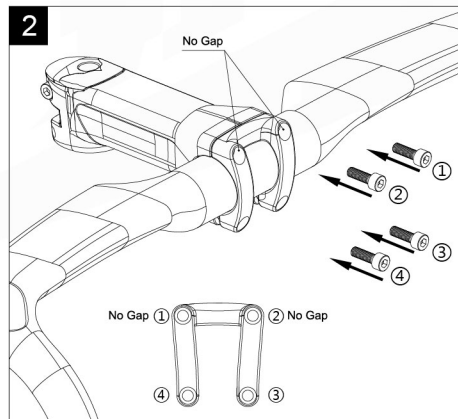
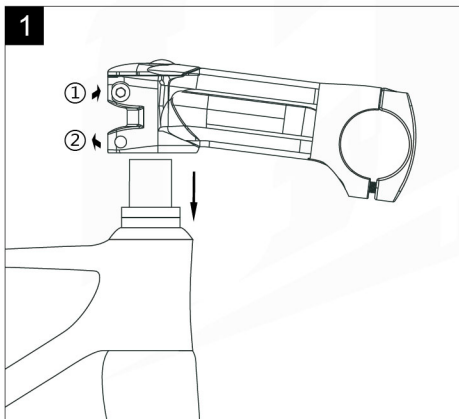
Controltech warrants this product to be free from defects in materials and workmanship for a period of two years from the date of purchase when purchased from an authorized Controltech dealer. This warranty is extended only to the original owner of the product and is not transferable. Proof of purchase is required for any warranty service, so be sure to keep your receipt.

This warranty does not cover cosmetic or structural damage arising from misuse or abuse, including damage caused by crashes, jumping and landing, front end impact, falls or any other collision, owner neglect of regular maintenance, improper installation of parts and accessories. Controltech makes no warranty if modifications, changes, additions or substitutions are made to any components. Wear from normal use or exposure to environmental elements is not covered by this warranty. Controltech makes no warranty against any incidental or consequential damage to bike or parts, or rider injury caused by defects as covered in this warranty.



Components

- ① Stem Body x1
- ② Stem Face Plate x1
- ③ Rubber Cap x1
- ④ M6 Fixing Bolts x1
- ⑤ Washer x1
- ⑥ Upper Cap x1
- ⑦ M5 Fixing Bolts x6



Stem Installation Instructions:

1. Ensure the clamping area of your handlebar fits the bar bore of your stem.
2. Inspect the stem for any defectives before installation and please contact the dealer or distributor if any.
3. Ensure the faceplate bolts are lubricated by grease.
4. Mount the stem on the fork steerer tube and adjust the stack height by adding more spacers according to personal preference.
5. Slightly tighten the top cap bolt and adjust the stem to the right position.
6. Tighten the top cap bolt by suggested torque.
7. Disassemble the faceplate complete for the handlebar assembly and mount the handlebar to the stem bare bore.
8. Tighten the upper 2 bolts on the faceplate first (Bolt ① & ② Figure. 2) and then tighten the lower 2 bolts (Bolt ③ & ④ in Figure 2) by suggested torque.

